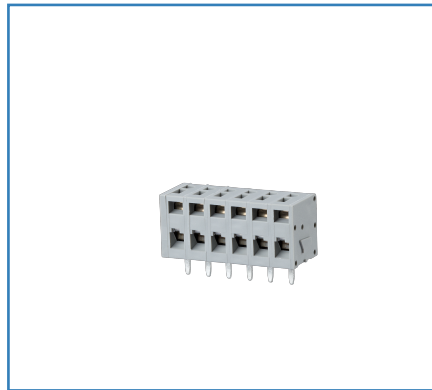


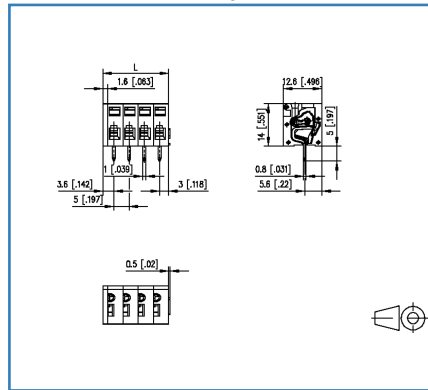
# Data sheet

## ST065xxHDNN AST065

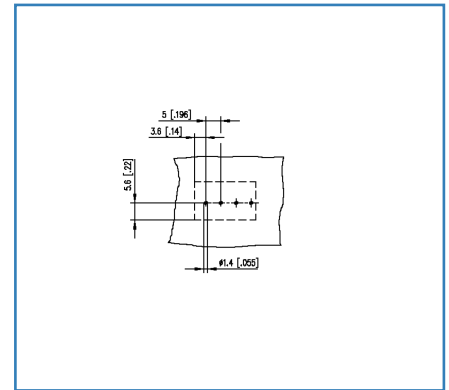
### Illustrations



Dimensional drawing



Drill pattern



See enlarged drawings at the end of document

### Product specification

- spring clamp terminal block, solderable
- centerline 5.00 mm, direction of connection 90°
- color gray
- without eccentric lever

**Data sheet**  
**ST065xxHDNN AST065**

**Technical Data**



**General Data**

Solder pin length	5 mm		
min. number of poles	2		
max. number of poles	24		
Insulating material class	CTI 600		
clearance/creepage dist.	4 mm		
protection category	IP20		
Min. insul. strip length	6 mm		
Overvoltage category	III	III	II
Pollution degree	3	2	2
Rated voltage	100 V	320 V	320 V
Rated test voltage	2.5 kV	2.5 kV	2.5 kV

**Connection Data**

rat.wiring solid AWGmax	0.2 mm <sup>2</sup> - 2 mm <sup>2</sup> / AWG 28 - AWG 14		
rat.wiring strand.AWGmax	0.2 mm <sup>2</sup> - 2 mm <sup>2</sup> / AWG 28 - AWG 14		

**Approvals**

 V / A / AWG	300 / 13 / 28 - 14		
approval UL - File No.	E121004		
 1 mm <sup>2</sup>	250 V / 13.5 A / 13.5A / T60		

**Material**

insulating material	PA66
flammability class	V0
spring material	Spring steel
contact material	CuZn
contact surface	Ni + Sn
Glow-Wire Flammability GWFI	960 °C acc. to IEC 60695-2-12
Glow-Wire Flammability GWIT	775 °C acc. to IEC 60695-2-13

**Climatic Data**

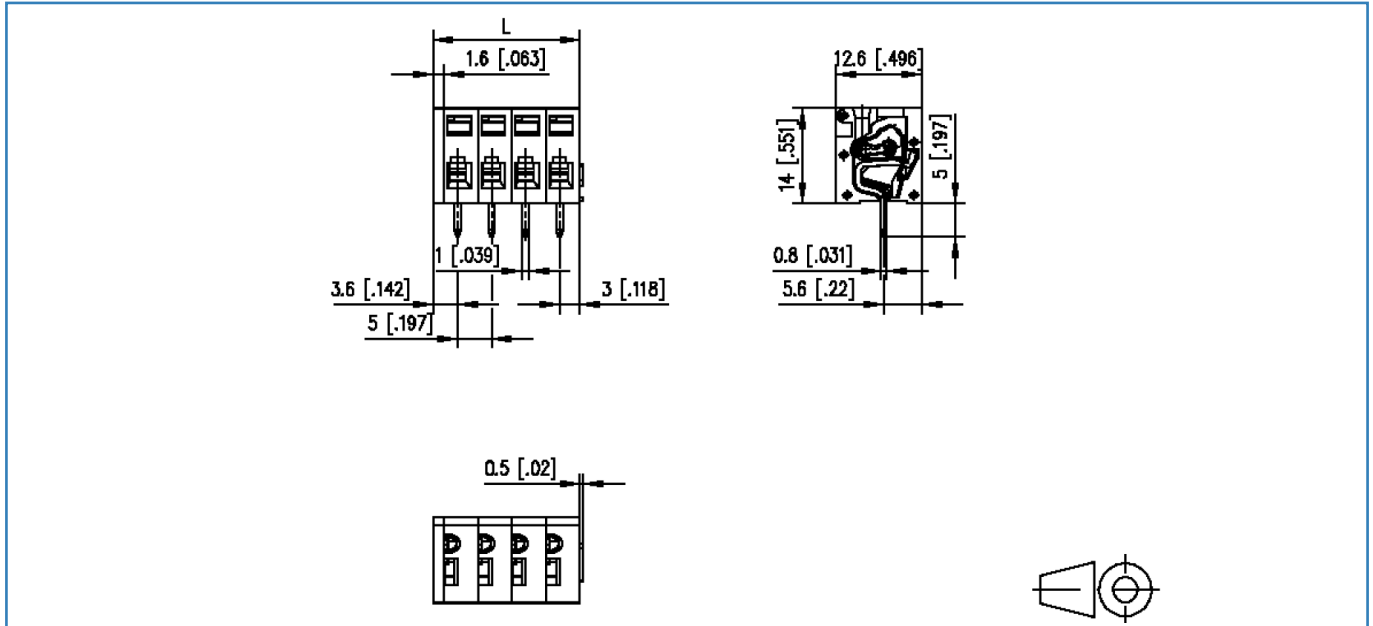
upper limit temperature	105 °C
lower limit temperature	-40 °C

**General**

Tolerance	ISO 2768 -mH
Solderability	Acc. to JEDEC JESD22-B102E 245°C/5s

**Illustrations**

Dimensional drawing



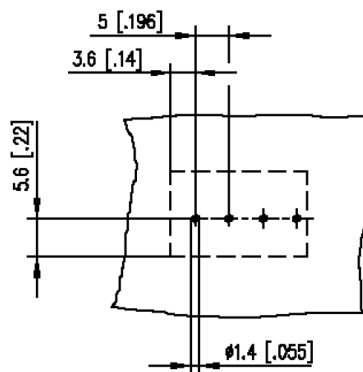
$L = (\text{pole size} - 1) \times \text{centerline} + 7.6 \text{ mm} [0.299]$

© 2019 METZ CONNECT - Technische Änderungen vorbehalten! Subject to modifications! Sous réserve de modifications techniques!



**Illustrations**

Drill pattern



© 2019 METZ CONNECT - Technische Änderungen vorbehalten! Subject to modifications! Sous réserve de modifications techniques!

